

**MULTIPLE STAGE
SIDE ACCESS
HOUSING FOR
GAS PHASE
APPLICATIONS**



FEATURES:

- ☑ Particulate and Gas Phase Filtration
- ☑ Available in Galvanized and Stainless Steel
- ☑ Welded Construction
- ☑ Corner Supports for Rigidity
- ☑ Flexible in Possible Filter Options
- ☑ Positive Tension, Gasketed Doors
- ☑ Factory Installed Flange
- ☑ Designed for Indoor or Outdoor Use
- ☑ Large List of Options

The TRI-MET CARBON SA™ is a multistage housing designed to remove both particulate and gas phase molecular contaminants. The unit accommodates either a 2" or 4" deep particulate prefilter section as well as nominal 3/4" deep carbon trays. Carbon tray configuration is based on twelve trays per twenty-four inches of height.

The TRI-MET CARBON SA™ housing is fabricated out of galvanized steel or optional stainless steel and is intermittently welded together for strength. All seams are silicone caulked for airtight seal. Upstream corner supports increase the rigidity of the unit. Filter tracks within the unit are bolted in place in order to accommodate varying styles of filters. Each housing is custom manufactured to meet specific end user requirements.

The TRI-MET CARBON SA™ housing accommodates both different types and efficiencies of particulate air filters. See individual filter ratings to determine specific efficiency and airflow.

Positive tension door locks make filter servicing easy and combined with a perimeter gasketing around the door ensures a positive seal. Factory installed flange is suitable for connection to either ductwork or air handling system.

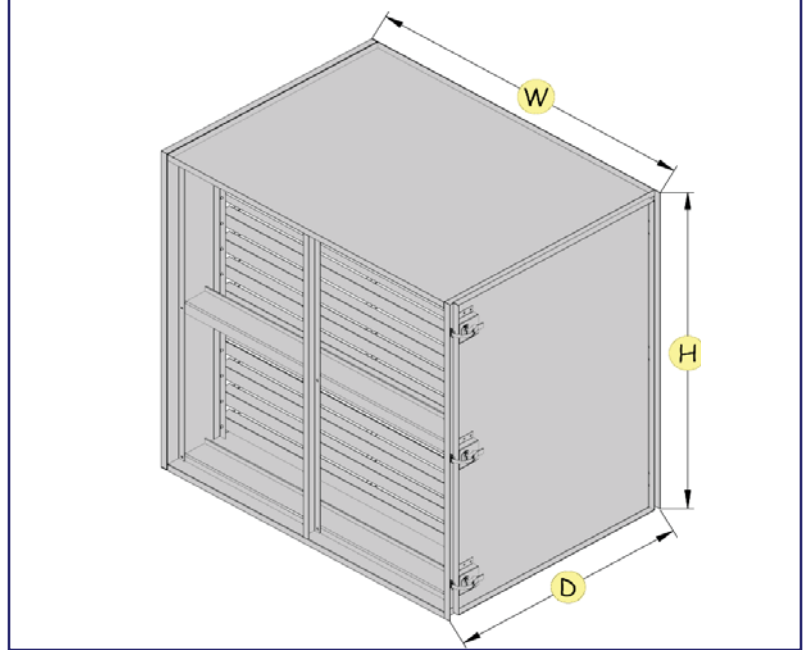
TRI-MET CARBON SA™ housings are designed for both indoor and outdoor use. Tri-Dim recommends for outdoor use both stainless steel and weather covers.

The TRI-MET CARBON SA™ comes with a large number of options so housings can be customized to meet any application specific requirements.

TRI-MET CARBON SA™ Options

- ▲ Vertical Flow Application
- ▲ Weather Cover
- ▲ Bottom Access
- ▲ Lifting Lugs
- ▲ Transitions
- ▲ Custom and Drilled Flanges
- ▲ Double Wall Insulation
- ▲ Static Port(s)
- ▲ Magnehelic Gauge
- ▲ Photohelic Gauge
- ▲ High Temperature Gasket

TRI-MET CARBON SA™ Drawing



TRI-MET CARBON SA™ Specifications

LEGEND		Unit Width			
Capacity					
Dimensions (HxW)					
Number of Filters					
Face Area (Sq. Ft.)					
		1	2	3	4
Unit Height	1	2,000 CFM 26-7/8"x26-1/8" 1-24x24 Filter 4 Sq Ft	4,000 CFM 26-7/8"x49-1/2" 2-24x24 Filter 8 Sq Ft	6,000 CFM 26-7/8"x72-7/8" 3-24x24 Filter 12 Sq Ft	8,000 CFM 26-7/8"x96-1/4" 4-24x24 Filter 16 Sq Ft
	2	4,000 CFM 51"x26-1/8" 2-24x24 Filter 8 Sq Ft	8,000 CFM 51"x49-1/2" 4-24x24 Filter 16 Sq Ft	12,000 CFM 51"x72-7/8" 6-24x24 Filter 24 Sq Ft	16,000 CFM 51"x96-1/4" 8-24x24 Filter 32 Sq Ft
	3	6,000 CFM 75-1/8"x26-1/8" 3-24x24 Filter 12 Sq Ft	12,000 CFM 75-1/8"x49-1/2" 6-24x24 Filter 24 Sq Ft	18,000 CFM 75-1/8"x72-7/8" 9-24x24 Filter 36 Sq Ft	24,000 CFM 75-1/8"x96-1/4" 12-24x24 Filter 48 Sq Ft
	4	8,000 CFM 99-1/4"x26-1/8" 4-24x24 Filter 16 Sq Ft	16,000 CFM 99-1/4"x49-1/2" 8-24x24 Filter 32 Sq Ft	24,000 CFM 99-1/4"x72-7/8" 12-24x24 Filter 48 Sq Ft	32,000 CFM 99-1/4"x96-1/4" 16-24x24 Filter 64 Sq Ft

NOTES

Capacity is reported in CFM at a flow rate of 500 FPM

Dimensions are reported in exact size in inches and Height x Width

Number of Filters & Trays are reported in quantity and nominal dimensions

Face Area is reported as face area of air filters – nominal size in square feet

Standard Housing Depths relative to filter depth
2" Filter = 36"
4" Filter = 38"
Custom depths available

Special and Half Size Units are available

Tri-Dim Filter Corporation is committed to continual product development – all descriptions, specifications and performance data are subject to change without notice.

Tri-Dim® and Tri-Dek® are Registered Trademarks of Tri-Dim Filter Corporation. Tri-Met™ is a Trademark of Tri-Dim Filter Corporation.



FILTER CORPORATION
TRI-DIM FILTER CORPORATION
P.O. BOX 466 • 93 INDUSTRIAL DRIVE
LOUISA, VA 23093

(540) 967-2600 • FAX: (540) 967-2835

EMAIL: info@tridim.com • Website: www.tridim.com
TOLL FREE 1-800-458-9835

Local Representation:



204 N. Link Lane #7
Fort Collins, CO 80524
Office: 970-204-4758 Fax: 970-204-4764
Brandon@IndustrialFilterSource.com
IndustrialFilterSource.com

Brochure #2500-6
Revision: 10/07